

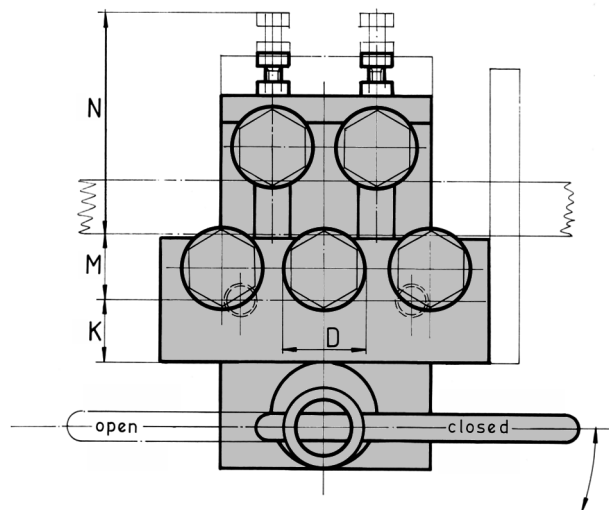
# Techna STRAIGHTENERS (WIRE & STRIP)

## EBH - Edge Bow Straightener

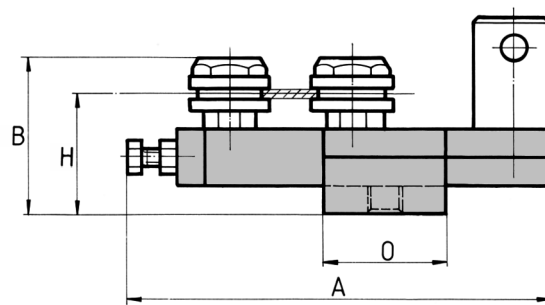
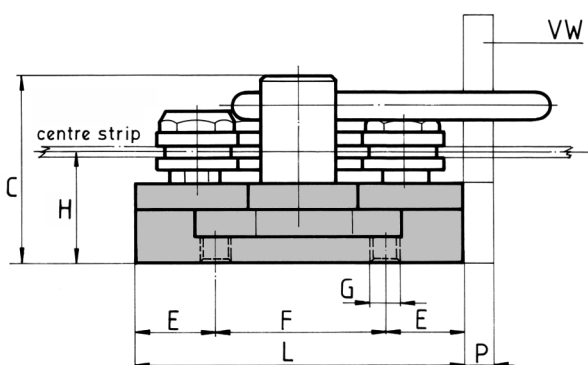
For removal of edge bow from strip products.



EBH5 - Five Roll Unit



Straighteners



EBH Series	Product Range (mm) □						
	0.3	0.5	1.0	2.0	3.0	3.0	4.0
Thickness*	0.3	0.5	1.0	2.0	3.0	3.0	4.0
Width	3.0 - 10.0	5.0 - 20.0	10.0 - 30.0	15.0 - 40.0	20.0 - 50.0	30.0 - 60.0	30.0 - 70.0
Common Measurements							
A	104	168	195	242	263	271	385
B	39	47	56	65	69	69	97
C	53	70	70	84	84	84	130
D	17	23	31	40	45	62	80
E	17	27.5	33	40	50	50	40
G	M6	M10	M12	M12	M12	M12	M16
H	32	37	43	49	52	52	82
K	20	22.5	22.5	30	30	35	40
M	3.5	26	25	21	19	25	37
N	59	81.5	109.5	143	164	171	243
O	40	45	45	60	60	70	80
Rolls	WR17	WR23	WR31	WR40	WR45	WR62	WR80
<b>5 Roll</b>	<b>EBH5-10.0</b>	<b>EBH5-20.0</b>	<b>EBH5-30.0</b>	<b>EBH5-40.0</b>	<b>EBH5-50.0</b>	<b>EBH5-60.0</b>	<b>EBH5-70.0</b>
F	46	42	52	70	90	90	180
L	80	97	118	150	190	190	260
Kg	1	2	2.7	5.4	8.2	8.4	22.4
<b>7 Roll</b>	<b>EBH7-10.0</b>	<b>EBH7-20.0</b>	<b>EBH7-30.0</b>	<b>EBH7-40.0</b>	<b>EBH7-50.0</b>	<b>EBH7-60.0</b>	<b>EBH7-70.0</b>
F	68	70	90	120	168	168	270
L	102	125	156	200	268	268	350
Kg	2	2.6	3.8	7.3	10.2	11.8	30

\* Custom Square Groove dimension to be specified.